

Fig.1 Actual chaotic gas turbine

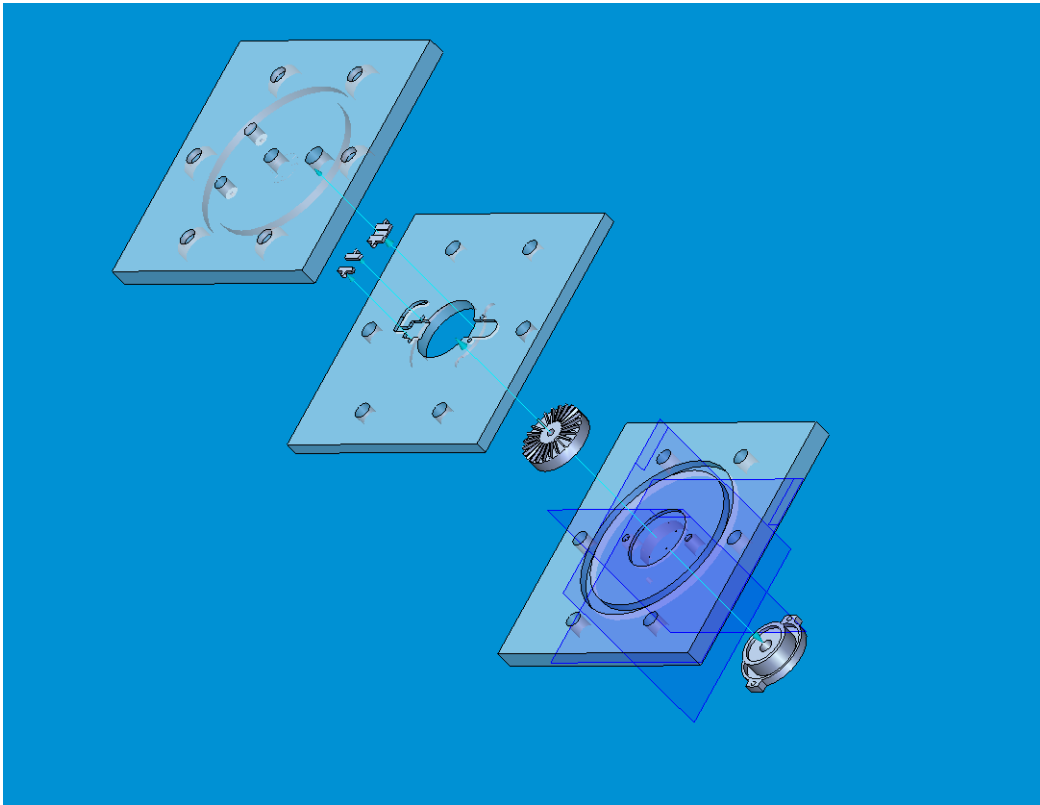


Fig. 2 Mechanical structure of chaotic gas turbine.

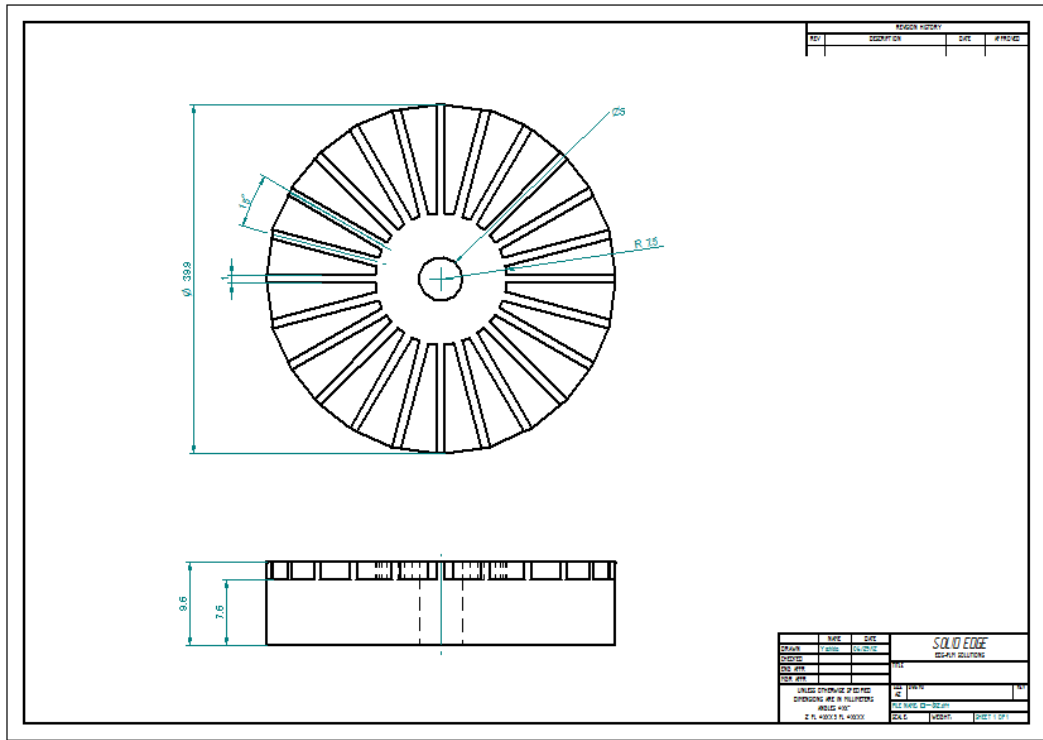


Fig.3 Detailed drawing of turbine rotor.

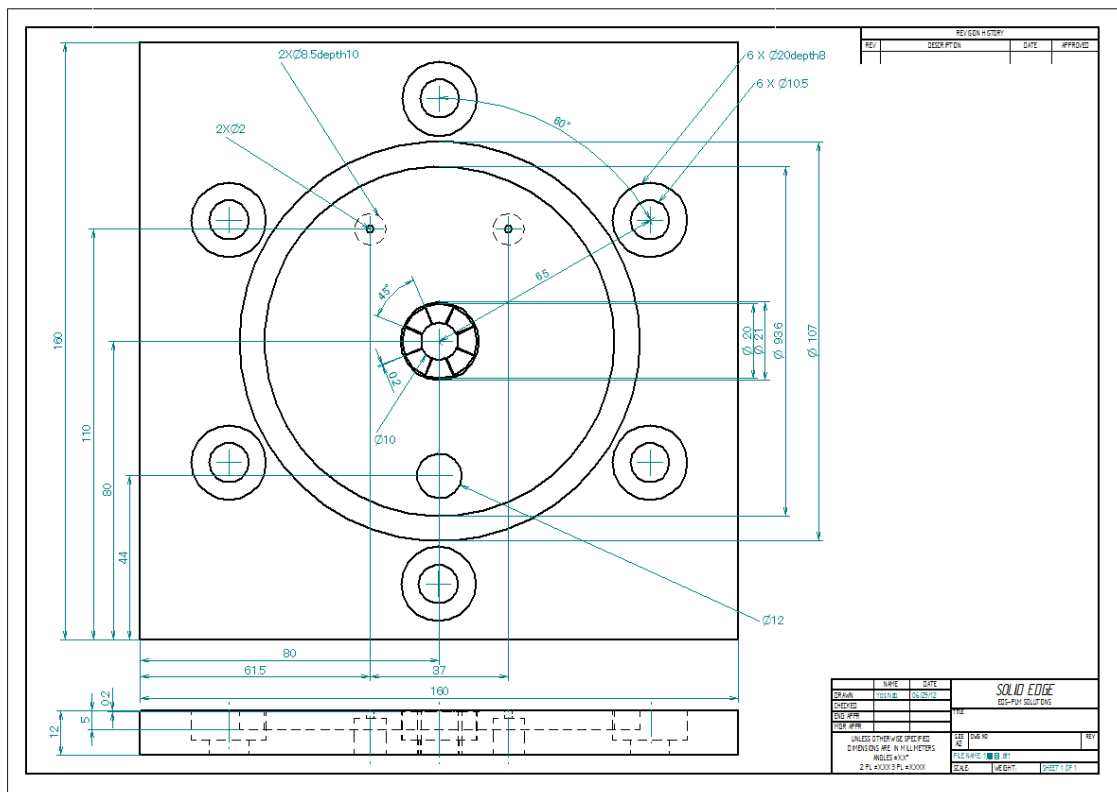


Fig.4 Detailed drawing of the first acrylic plate.

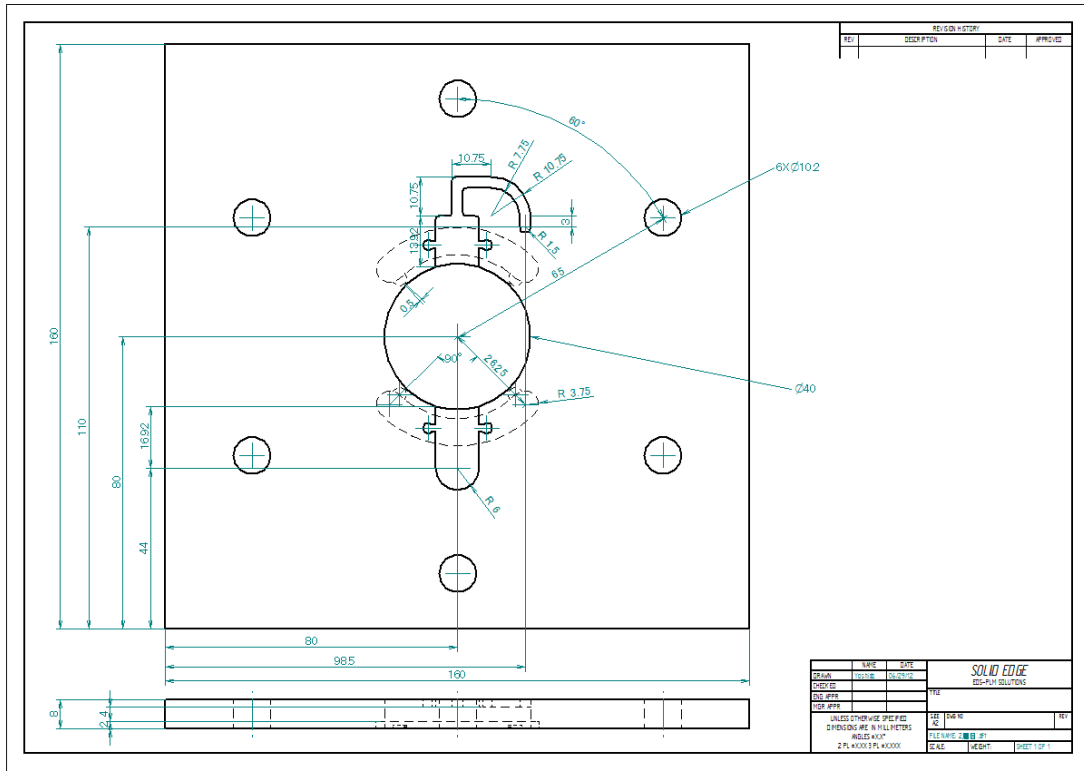


Fig.5 Detailed drawing of the second acrylic plate.

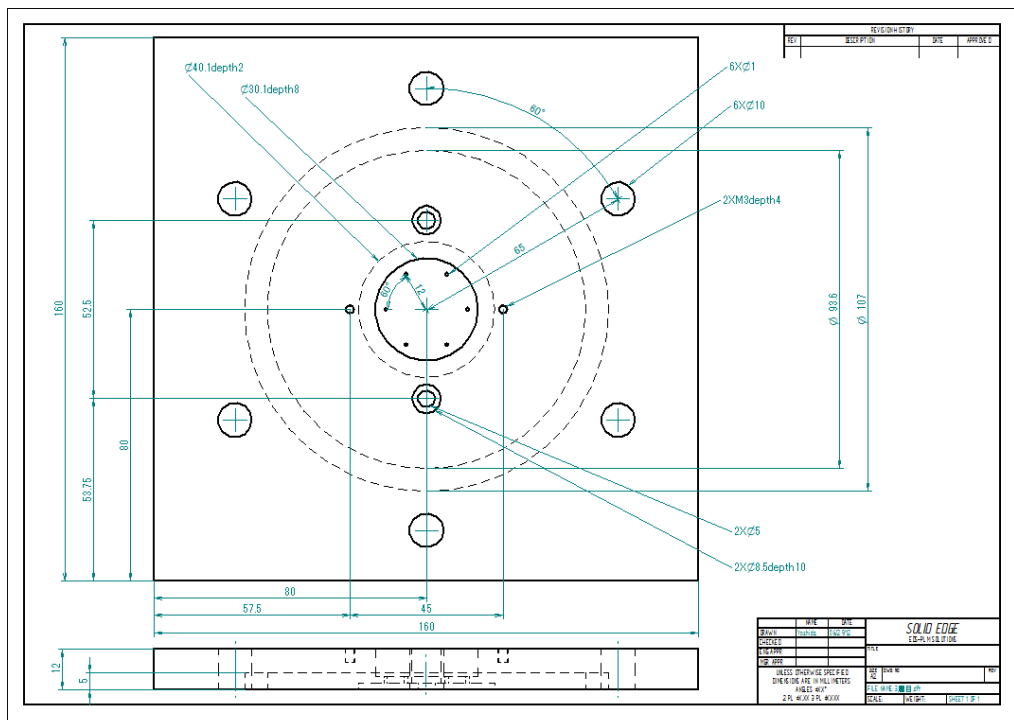


Fig.6 Detailed drawing of the third acrylic plate.

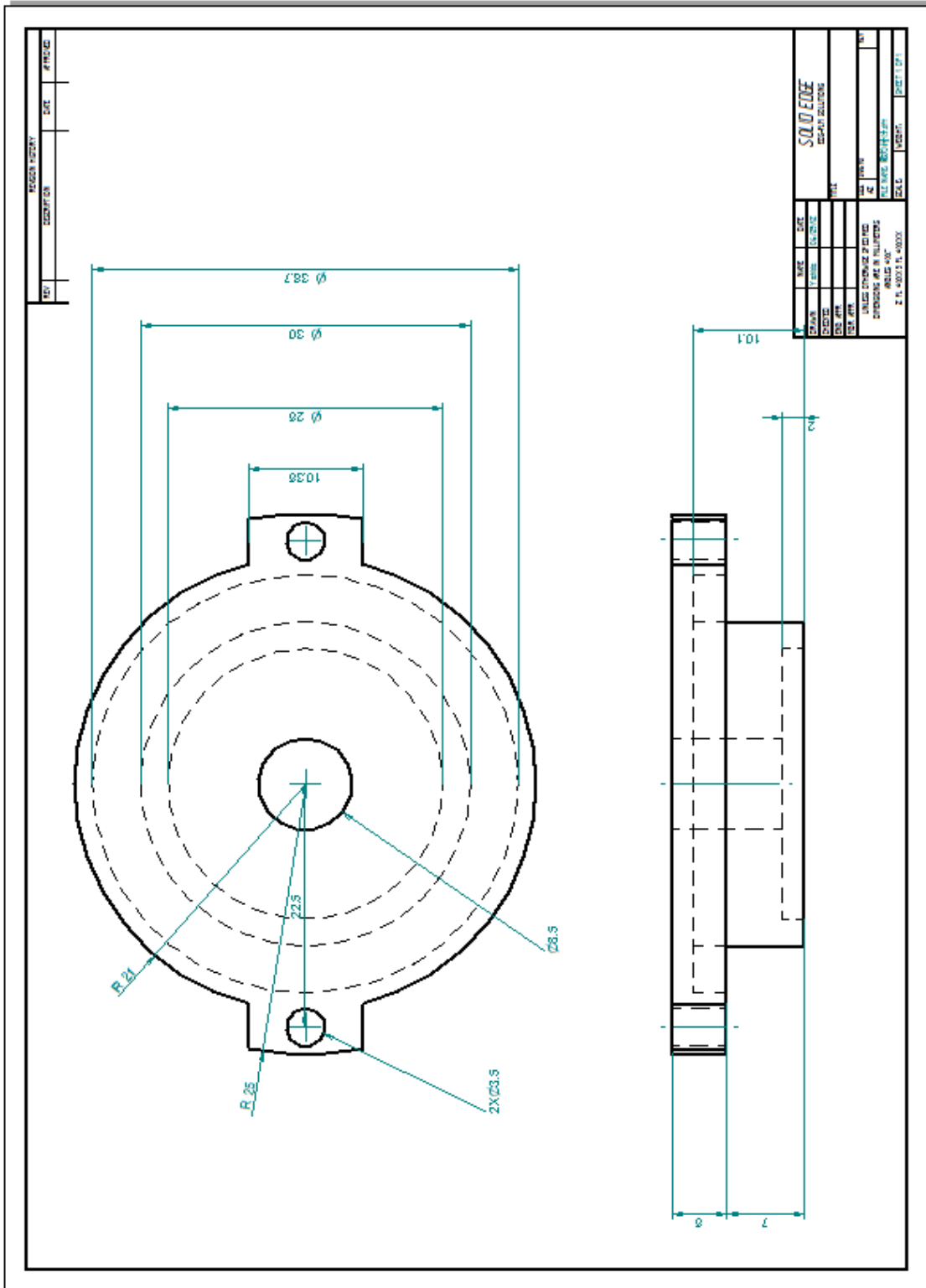


Fig.7 Detailed drawing of bottom parts (1).

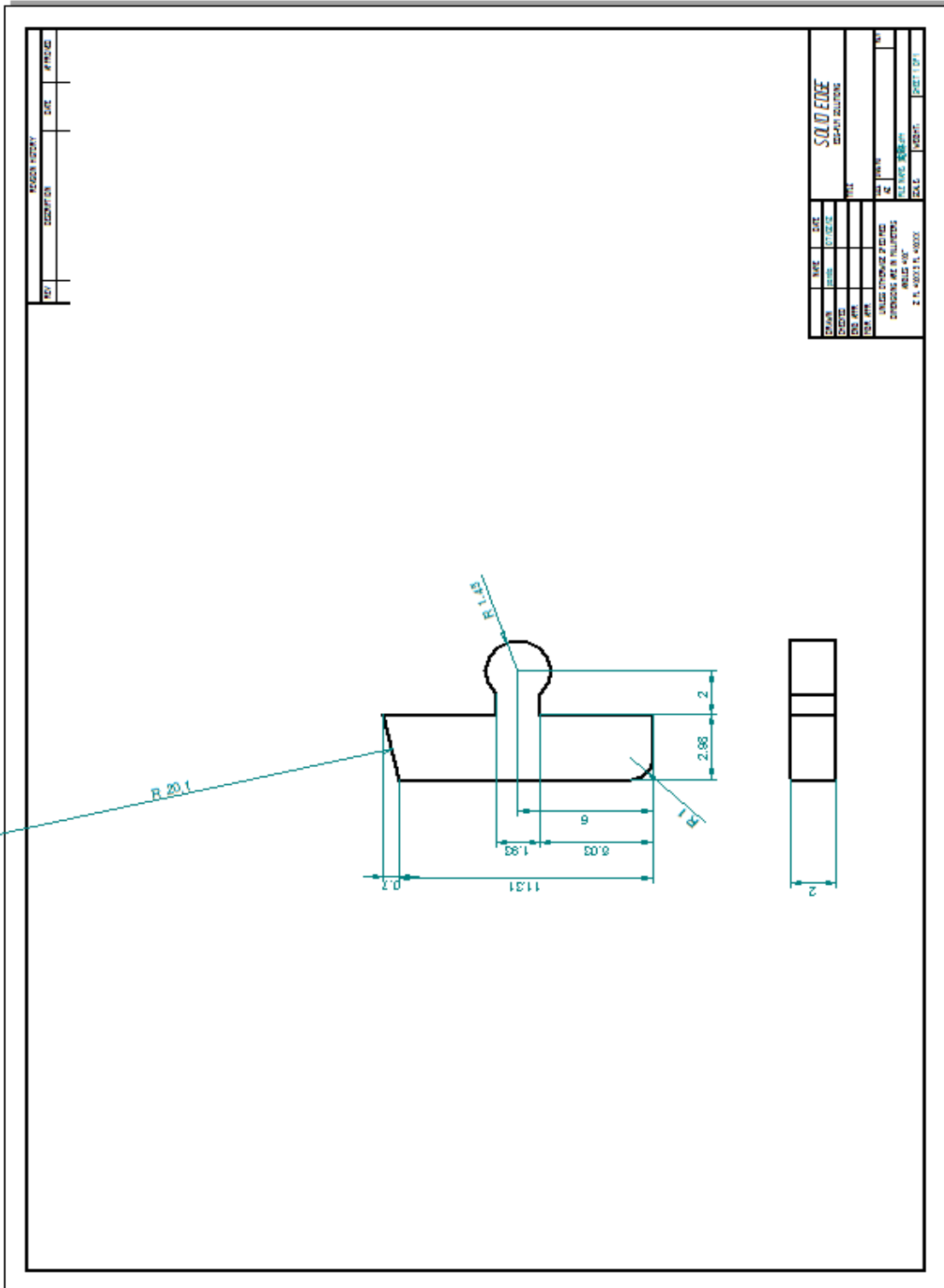


Fig.8 Detailed drawing of bottom parts (2).

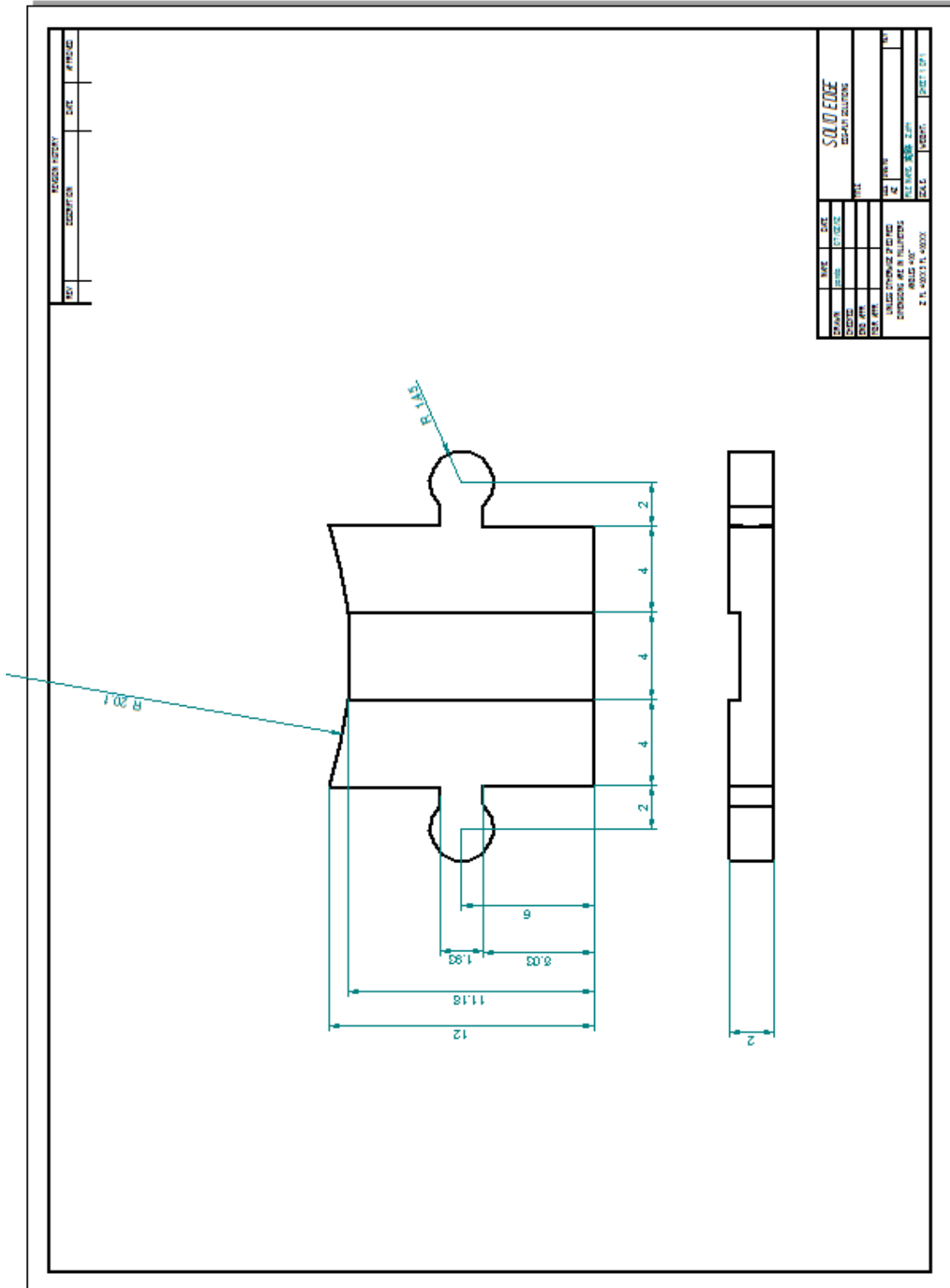


Fig.9 Detailed drawing of bottom parts (3).