



Google™ Custom Search



Products

Support

Classroom

Services

Showcase

About Us

My Cart

NOTE: Digilent will be closed November 26th & 27th for Thanksgiving. Orders received after noon PST on the 25th will be processed on the 1st.

Products ▶

- +Coming Soon
- +New Products
- +FPGA Boards
- +Scopes & Instruments
- +chipKIT™ Boards
- +Microprocessor Boards
- +FMC Cards
- +Peripheral Modules
- +NI Academic Products
- +Analog Devices
- +Microchip® Tools
- +Software
- +Programming Solutions
- +Robotic Platforms
- +Textbooks
- +Add-On Boards
- +Accessories
- +Discontinued

Enter a value code:

Submit



PmodCON3 - R/C servo connectors

\$15.99

Add to Cart

Currently in stock

Part # 410-082P

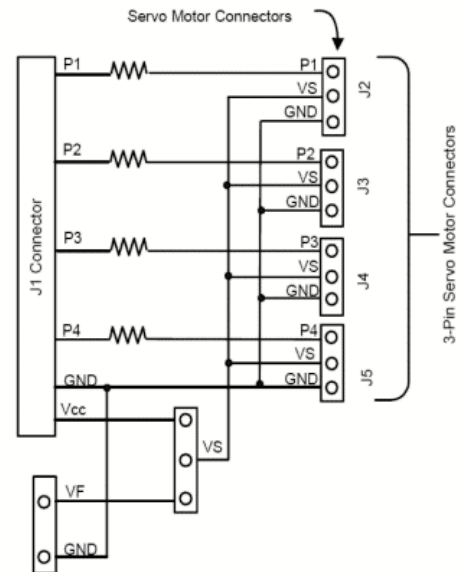
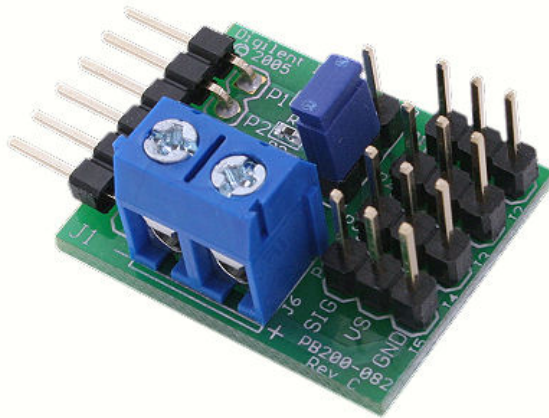
Hide Details

Connector(s): 6-pin header and 4 R/C servo connectors

- Screw terminal connector for R/C servo power supply
- Small size (.80" x 1.00")
- **Ships with a 6" 6-pin cable and a 6-pin header**

The Digilent PmodCON3 Servo Connector Module Board (the CON3) makes it easy to drive up to four servo motors from any Digilent system board.

The CON3 conveys signals between a 6-pin header and one of four servo-motor connectors. A terminal block and jumpers are provided so that an external motor power supply can be used.



Support Documents:

Doc #	Date	Categories	Description	
500-082	1/16/15	PD	PmodCON3 schematics.	Download
DSD-0000095		PD	PmodCON3 Reference Manual	Download
DSD-0000196	10/04/07	DP	PmodCON3 Demo	Download
DSD-0000222	4/20/09	RD	PmodCON3 example reference design	Download
DSD-0000223	4/20/09	RD	PmodCON3 reference component	Download

Digilent, Inc. | P.O. Box 428 Pullman, WA 99163-0428 | (509) 334-6306 (voice) (509) 334-6300 (fax) | [Contact us](#)