



Google™ Custom Search

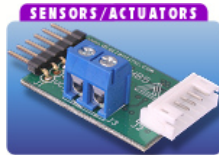


Products Support Classroom Services Showcase About Us My Cart

NOTE: Digilent will be closed November 26th & 27th for Thanksgiving. Orders received after noon PST on the 25th will be processed on the 1st.

Products

- +Coming Soon
- +New Products
- +FPGA Boards
- +Scopes & Instruments
- +chipKIT™ Boards
- +Microprocessor Boards
- +FMC Cards
- Peripheral Modules
 - Anvyl Pmod Pack
 - Cable Kit, 12-pin
 - Cable Kit, 6-pin
 - Pmod8LD
 - PmodACL
 - PmodACL2
 - PmodAD1
 - PmodAD2
 - PmodAD5
 - PmodALS
 - PmodAMP2
 - PmodAMP3
 - PmodBB
 - PmodBT2
 - PmodBTN
 - PmodCDC1
 - PmodCLIP
 - PmodCLP
 - PmodCLS
 - PmodCMPS
 - PmodCON1
 - PmodCON3
 - PmodCON4
 - PmodDA1
 - PmodDA2
 - PmodDA3
 - PmodDA4
 - PmodDHB1
 - PmodDIP
 - PmodDPOT
 - PmodENC
 - PmodGPS
 - PmodGYRO
 - PmodHB3
 - PmodHB5
 - PmodI2S
 - PmodIA
 - PmodIOXP
 - PmodJSTK
 - PmodKYPD
 - PmodLED
 - PmodLS1
 - PmodLVLSHFT
 - PmodMAXSONAR
 - PmodMIC3
 - PmodNIC100
 - PmodOC1
 - PmodOD1
 - PmodOLED
 - PmodPMON1
 - PmodPS2
 - PmodR2R
 - PmodRF2
 - PmodRJ45
 - PmodRS232
 - PmodRS485
 - PmodRTCC
 - PmodSD
 - PmodSF
 - PmodSF2
 - PmodSSD
 - PmodSTEP
 - PmodSWT
 - PmodTC1
 - PmodTMP2
 - PmodTMP3
 - PmodTPH
 - PmodTPH2
 - PmodUSBUART
 - PmodWiFi
- +NI Academic Products
- +Analog Devices
- +Microchip® Tools
- +Software
- +Programming Solutions
- +Robotic Platforms
- +Textbooks
- +Add-On Boards
- +Accessories
- +Discontinued



PmodHB5 - H-bridge w/ feedback inputs

\$28.00

Add to Cart

Part # 410-106P

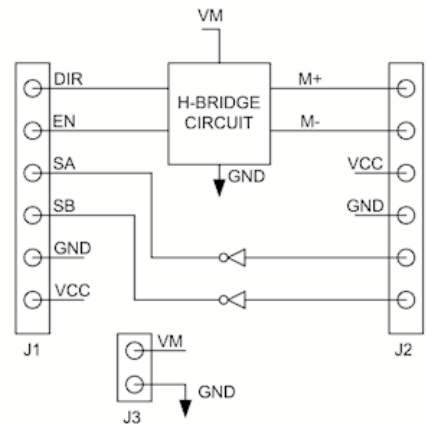
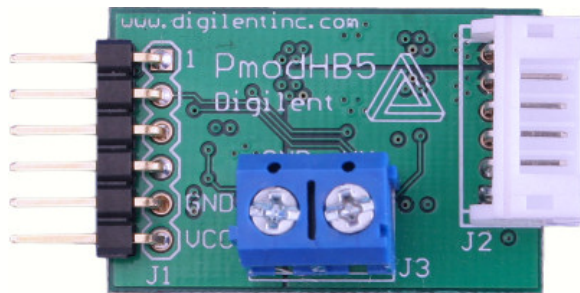
Currently in stock

Hide Details

Connector(s): 6-pin header and 6-pin JST connector

- 2A H-bridge circuit capable of handling up to 12V
- Two feedback channels w/ Schmitt-trigger inputs
- Small size (0.8" X 1.3")
- Ships with a 6" 6-pin cable and a 6-pin header

The Digilent PmodHB5 2A H-bridge module is an ideal solution for robotics and other applications where logic signals are used to drive small to medium-sized DC motors such as the Digilent motor/gearbox.



Support Documents:

Doc #	Date	Categories	Description	
DSD-000084	2/29/12	PD	PmodHB5 Reference Manual	Download
DSD-000102		PD	PmodHB5 Schematics	Download
DSD-000226	4/20/09	RD	PmodHB5 reference component	Download
DSD-000227	4/20/09	RD	PmodHB5 example reference design	Download
DSD-000355	2/29/12	DP	This zip file contains a library and MPLAB demo project for the PmodHB5. This project was made for MPLAB v8.83, targets the Cerebot MX4cK, and is written in C.	Download
DSD-000358	2/29/12	DP	This zip file contains a Xilinx ISE demo project for the PmodHB5. This project was made for Xilinx ISE 13.4, targets the Nexys3, and is written in VHDL.	Download
DSD-000391	9/07/12	DP	This zip file contains a Xilinx ISE demo project for the PmodHB5. This project was made for Xilinx ISE 14.2, targets the Nexys3, and is written in VHDL.	Download
DSD-000392	9/07/12	DP	This zip file contains a Xilinx ISE demo project for the PmodHB5. This project was made for Xilinx ISE 14.2, targets the Nexys3, and is written in Verilog.	Download
DSD-000459	6/09/14	DP	This MPIDE library simplifies the use of th PmodHB5 with our motors by providing simple functions using the input capture interrupts for motor feedback. The included demo initializes the input capture interrupts and allows manipulation of the wheel direction through button presses.	Download

Enter a value code:

Submit



Digilent, Inc. | P.O. Box 428 Pullman, WA 99163-0428 | (509) 334-6306 (voice) (509) 334-6300 (fax) | [Contact us](#)